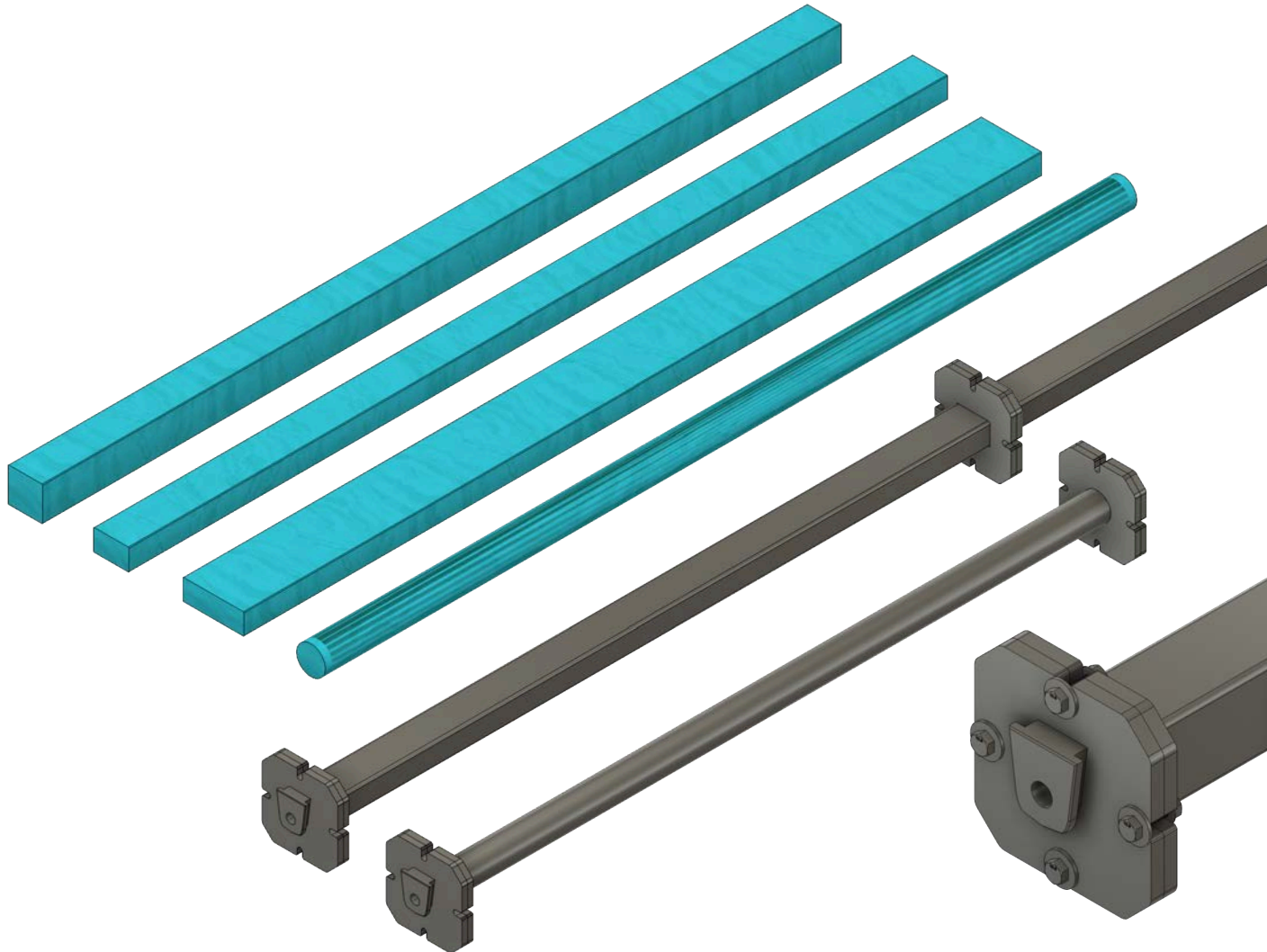


# STANDARD EXTRUDER MOULDS & ADD-ONS

FOR EXTRUDER EMK1 & EMK2



## Beam Moulds

We offer a large selection of different beam moulds that we developed with a quick release mechanism which exactly fits with our extruder.

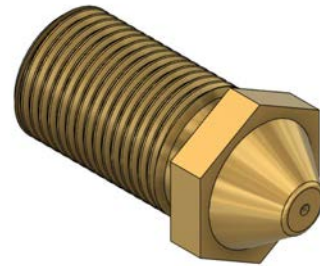
Price: **upon request**

Standard Mould Order	Custom Mould Order
To place an order for our standard moulds, please contact us at the following email address: <a href="mailto:products@plasticpreneur.com">products@plasticpreneur.com</a>	If you desire the creation of custom moulds tailored more closely to your needs, please send us an email to: <a href="mailto:moulds@plasticpreneur.com">moulds@plasticpreneur.com</a>

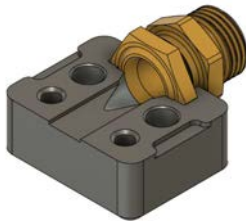
## 1.75 mm Nozzle

Alternative nozzle to create smaller strings than with the standard 5 mm nozzle.  
The extruded diameter is not stable enough to extrude 3D printing filament.

Size product:	D: 28 mm L: 50 mm
Weight Product:	90 g
Threat:	G1/2"
Key Size:	24 mm
Material:	Brass



Price: 75 €\*



## Band Extrusion Nozzle

Alternative nozzle to create an approximately 12mm wide plastic band.



Size product:	L: 6 cm W: 5 cm H: 4 cm
Weight Product:	400 g
Threat:	G1/2"
Key Size:	24 mm
Material:	Aluminium, Brass

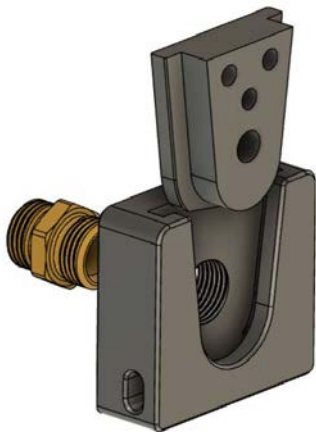
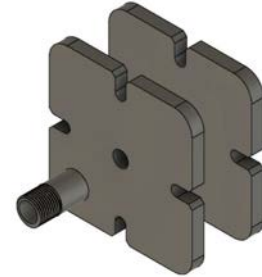
Price: 150 €\*

## Beam Welding Set

Everything you need to weld a beam mould by yourself.  
Suitable for most metal pipes – max. pipe size 75x75mm.

You just need to source the steel profile with the needed dimensions locally in addition to this set.

Size product:	L: 12 cm W: 12 cm H: 6 cm
Weight Product:	2.1 kg
Threat:	G1/2"
Material:	Steel
<b>Price:</b>	<b>100 €*</b>



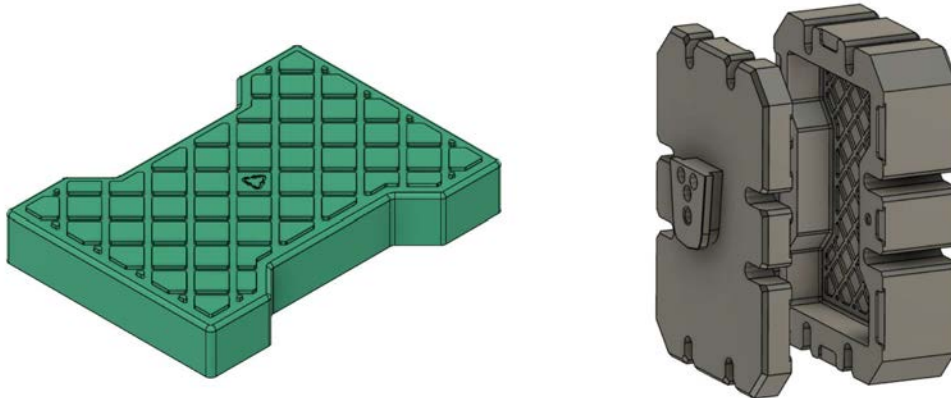
## Quick Release Mechanism

For a better workflow we recommend using our quick release mechanism for connecting closed moulds. One side gets screwed into the extruder and the other one gets mounted on the mould with three M6 screws.

Size product:	L: 4.5 cm W: 7 cm H: 6.5 cm
Weight Product:	800 g
Threat:	G1/2"
Key Size:	24 mm
Material:	Steel, Brass
<b>Price:</b>	<b>175 €*</b>

## Pavement Tile Mould

Due to our unique overpressure valve you are able to extrude into closed moulds. For a fast and good Workflow with high output numbers, we recommend using at least three Pavement Tile Moulds. Pavement Tile Moulds come with our quick release mechanism. It takes around 1 minute and 25 seconds to fill up one mould (depending on your input material and flake size).



Plastic per mould:	280 g
Products per mould:	1
Plastic per product:	270 g
Workflow:	●●●●●

Size product:	L: 17 cm W: 12 cm H: 2.7 cm
Size mould:	L: 22 cm W: 16 cm H: 7.5 cm
Weight mould:	6 kg

Price:	1,000 €*
Set Price: (3 x mould)	2,500 €*



## Bench Mould

Mould to create a bench out of recycled plastic beams.

Set Price (3 Moulds): 1,000 €\*



Standard Mould Order	Custom Mould Order
To place an order for our standard moulds, please contact us at the following email address: <a href="mailto:products@plasticpreneur.com">products@plasticpreneur.com</a>	If you desire the creation of custom moulds tailored more closely to your needs, please send us an email to: <a href="mailto:moulds@plasticpreneur.com">moulds@plasticpreneur.com</a>