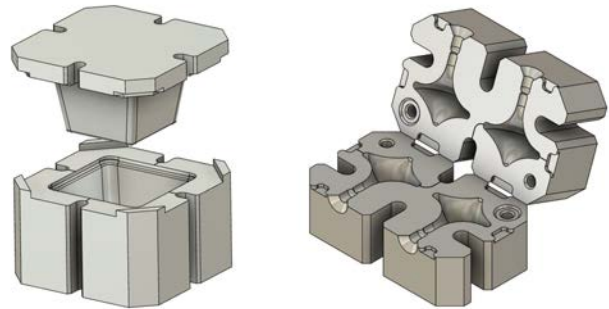


3D ALUMINUM MOULDS FOR INJECTION MACHINE IMK1 & IMK1.1

Our high quality aluminum moulds offer an incredible workflow and create access to a large variety of different three dimensional shaped objects. Attached you find our standard moulds which we usually have in stock.

PROS:

- Very fast workflow
- Awesome price-performance ratio
- High quality finish of the final product
- Almost unlimited range of designs
- Complex shapes are possible
- Very durable
(3000+ shots with one mould)



If you wish for the creation of customized moulds adapted more closely to your needs then please send us an e-mail to products@plasticpreneur.com

WORKFLOW

The "workflow" indicates how fast the handling of a form is in the work process. This includes the time for opening and closing the injection mould as well as demoulding the injected part.

- **very slow** – not efficient for serial production
- **slow** – depends on the product if it is cost efficient for serial production
- **medium** – ok for serial production
- **fast** – good for serial production
- **super fast** – excellent for serial production

For Workshops we recommend using moulds with a workflow of at least ●●●●● (3) or even ●●●●● (4) workflow points.

Ashtray Mould

Ashtray for collecting cigarettes.

Plastic per mould: 35 g
 Products per mould: 1
 Plastic per product: 33 g
 Workflow: ●●●●●●

Size product: D: 80 mm H: 25 mm
 Size mould: D: 12 cm H: 5,2 cm
 Weight mould: 1.5 kg

Price: 475 €*



Bowl Mould

Perfect as a decorative non food bowl for accessories or gadgets.

Plastic per mould: 70 g
 Products per mould: 1
 Plastic per product: 69 g
 Workflow: ●●●●●●

Size product: D1: 17 cm D2: 9 cm H: 4 cm
 Size mould: D: 20 cm H: 6 cm
 Weight mould: 5.1 kg

Price: 450 €*



Button Mould D: 11 mm

Suitable size for most shirts.

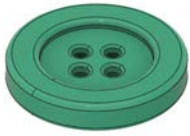
Plastic per mould: 5 g
 Products per mould: 10
 Plastic per product: 0.2 g
 Workflow: ●●●●●●

Size product: D: 11 mm H: 2 mm
 Size mould: L: 9 cm W: 8 cm H: 4 cm
 Weight mould: 0.8 kg

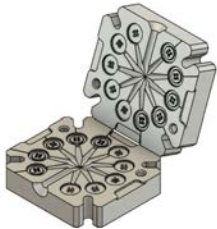
Price: 350 €*



Button Mould D: 15 mm



Suitable size for most shirts.



Plastic per mould: 15 g
Products per mould: 10
Plastic per product: 0.7 g
Workflow: ●●●●●●

Size product: D: 15 mm H: 2.5 mm
Size mould: L: 13 cm W: 12 cm H: 4 cm
Weight mould: 1.7 kg

Price: 400 €*

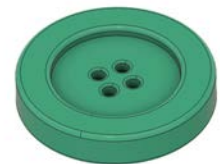
Button Mould D: 20,3 mm

Suitable size for most shirts.

Plastic per mould: 15 g
Products per mould: 10
Plastic per product: 0.7 g
Workflow: ●●●●●●

Size product: D: 20,3 mm H: 2 mm
Size mould: L: 13 cm W: 12 cm H: 4 cm
Weight mould: 1.7 kg

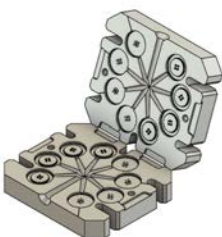
Price: 450 €*



Button Mould D: 28 mm



Suitable size for most jackets.



Plastic per mould: 24 g
Products per mould: 8
Plastic per product: 2.5 g
Workflow: ●●●●●●

Size product: D: 28 mm H: 5 mm
Size mould: L: 15 cm W: 13 cm H: 5 cm
Weight mould: 2.4 kg

Price: 500 €*

Carabiner Mould

Perfect as a giveaway for workshops or to fix light items such as keys or bottles – not strong enough to go climbing with.

Plastic per mould: 37 g
 Products per mould: 4
 Plastic per product: 7,3 g
 Workflow: ●●●●●

Size product: L: 6.5 cm W: 4 cm H: 0.6 cm
 Size mould: L: 14 cm W: 12 cm H: 4 cm
 Weight mould: 1.6 kg

Price: 450 €*



Checkers Game Figures Mould

Used for checkers as well as other board games.



Plastic per mould: 20 g
 Products per mould: 5
 Plastic per product: 2,6 g
 Workflow: ●●●●●

Size product: D: 26 mm H: 6,5 mm
 Size mould: L: 11 cm W: 9 cm H: 4 cm
 Weight mould: 1 kg

Price: 350 €*

Clothing Peg Mould

Long lasting peg to hang up your clothes without any need of metal springs.

Plastic per mould: 25 g
 Products per mould: 2
 Plastic per product: 11 g
 Workflow: ●●●●●

Size product: L: 7 cm W: 6 cm H: 0.8 cm
 Size mould: L: 17 cm W: 7.5 cm H: 4 cm
 Weight mould: 1.3 kg

Price: 350 €*



Clothing Hook Mould small



Perfect for hanging up hoodies.

Plastic per mould: 17 g
 Products per mould: 2
 Plastic per product: 7 g
 Workflow: ●●●●●

Size product: L: 10 cm W: 3 cm H: 1.2 cm
 Size mould: L: 12 cm W: 10 cm H: 4 cm
 Weight mould: 1.2 kg

Price: 450 €*

Clothing Hook Mould

Perfect for hanging up jackets.

Plastic per mould: 35 g
 Products per mould: 2
 Plastic per product: 15 g
 Workflow: ●●●●●

Size product: L: 15.5 cm W: 4.5 cm H: 2 cm
 Size mould: L: 17.5 cm W: 12.5 cm H: 5 cm
 Weight mould: 2.6 kg

Price: 500 €*



Comb Mould



Perfect for most long hair – lovely as a gift.

Plastic per mould: 19 g
 Products per mould: 2
 Plastic per product: 9 g
 Workflow: ●●●●●

Size product: L: 12 cm W: 5 cm H: 0.3 cm
 Size mould: L: 15.5 cm W: 14.5 cm H: 5 cm
 Weight mould: 3.1 kg

Price: 500 €*

Door Knob Mould D: 30 mm

Perfect knob for drawers or to hang up jackets.

Plastic per mould: 20 g
 Products per mould: 2
 Plastic per product: 8 g
 Workflow: ●●●●●●●●

Size product: D: 3 cm H: 5.5 cm
 Size mould: L: 9.5 cm W: 6 cm H: 5 cm
 Weight mould: 0.7 kg

Price: 300 €*



Door Knob Mould D: 50mm

Perfect knob for doors or to hang up jackets.

Plastic per mould: 80 g
 Products per mould: 2
 Plastic per product: 39 g
 Workflow: ●●●●●●●●

Size product: D: 5 cm H: 7 cm
 Size mould: L: 13.5 cm W: 8 cm H: 6 cm
 Weight mould: 1.6 kg

Price: 350 €*



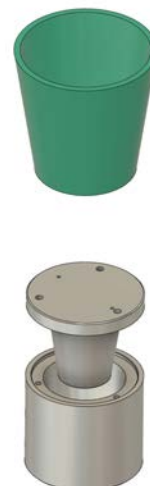
Flower Pot Mould small

Perfect for small plants like cactus or flowers.

Plastic per mould: 36 g
 Products per mould: 1
 Plastic per product: 36 g
 Workflow: ●●●●●●●●

Size product: D1: 7 cm D2: 5 cm H: 7 cm
 Size mould: D: 10 cm H: 9.5 cm
 Weight mould: 2.0 kg

Price: 350 €*





Flower Pot Mould medium

Perfect for most medium size plants.

Plastic per mould: 76 g

Products per mould: 1

Plastic per product: 74 g

Workflow: ●●●●●

Size product: D1: 10 cm D2: 7 cm H: 8.5 cm

Size mould: D: 13 cm H: 11 cm

Weight mould: 3.8 kg

Price: 400 €*

Saucer for Flower Pot Mould medium

Perfect saucer for our Flower Pot medium.

Plastic per mould: 24 g

Products per mould: 1

Plastic per product: 22 g

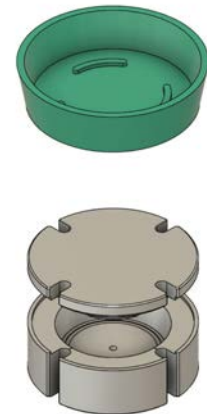
Workflow: ●●●●●

Size product: D: 7.8 cm H: 2 cm

Size mould: D: 11.5 cm H: 4.6 cm

Weight mould: 1,2 kg

Price: 400 €*



Flower Pot Mould large

Perfect for most large household plants.

Plastic per mould: 107 g

Products per mould: 1

Plastic per product: 105 g

Workflow: ●●●●●

Size product: D1: 11 cm D2: 8.5 cm H: 10.5 cm

Size mould: D: 14.5 cm H: 13.5 cm

Weight mould: 5.8 kg

Price: 550 €*

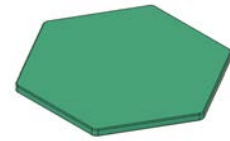
Hexagon Tile Mould - Flat

Hexagon Tile with two flat sides - Perfect as a coaster or tile.

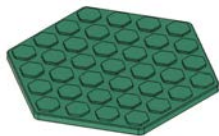
Plastic per mould: 27 g
 Products per mould: 1
 Plastic per product: 25 g
 Workflow: ●●●●●

Size product: L: 9,7 cm W: 9 cm H: 4 mm
 Size mould: L: 13 cm W: 11.5 cm H: 4 mm
 Weight mould: 1.5 kg

Price: 250 €*



Hexagon Tile Mould - Structured



One side has a structure - perfect to cover your wall - just glue the structured side onto the wall.

Plastic per mould: 30,5 g
 Products per mould: 1
 Plastic per product: 28,5 g
 Workflow: ●●●●●

Size product: L: 9,7 cm W: 9 cm H: 5 mm
 Size mould: L: 13 cm W: 11.5 cm H: 4 cm
 Weight mould: 1.5 kg

Price: 300 €*

Interlocking Brick

Be creative and build all kinds of different objects.

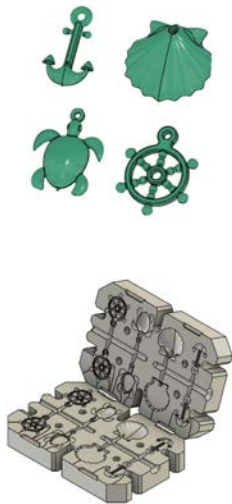
Plastic per mould: 115 g
 Products per mould: 1
 Plastic per product: 112 g
 Workflow: ●●●●●

Size product: L: 13,7 cm W: 6,8 cm H: 5,4 cm
 Size mould: L: 16,8 cm W: 10 cm H: 8,5 cm
 Weight mould: 2,9 kg

Price: 550 €*



Ocean Jewelry Mould Set



Lovely to show your connection to the ocean.
The set includes an anchor, a shell, a turtle and a shipping wheel - all products have a 2.5 mm jewelry ring.

Plastic per mould: 22 g
Products per mould: 4
Plastic per product: 1.7 g
Workflow: ●●●●●○

Size product: L: 3.3 cm W: 3.3 cm H: 0.4 cm
Size mould: L: 17.5 cm W: 11.5 cm H: 5 cm
Weight mould: 2.5 kg

Price: 750 €*

Pearl Mould

Perfect as a necklace or as pearls for an abacus.

Plastic per mould: 11 g
Products per mould: 10
Plastic per product: 0.7 g
Workflow: ●●●●●○

Size product: D: 14 mm H: 9 mm
Size mould: L: 9 cm W: 8 cm H: 4 cm
Weight mould: 0.8 kg

Price: 300 €*



Playing Pieces Mould

Perfect for many board games.

Plastic per mould: 17 g
Products per mould: 8
Plastic per product: 1.4 g
Workflow: ●●●●●○

Size product: D: 12 mm H: 24 mm
Size mould: L: 11 cm W: 9.5 cm H: 4 cm
Weight mould: 1 kg

Price: 325 €*



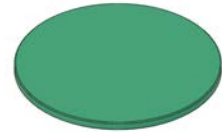
Round Coaster Mould

Perfect to use as a coaster.

Plastic per mould: 26 g
 Products per mould: 1
 Plastic per product: 23 g
 Workflow: ●●●●●●

Size product: D: 9cm H: 0.4 cm
 Size mould: L: 13 cm W: 11.5 cm H: 4 cm
 Weight mould: 1.5 kg

Price: 200 €*



Ruler Mould metric - 15 cm

Perfect for school classes or as a giveaway for workshops.



Plastic per mould: 30 g
 Products per mould: 2
 Plastic per product: 13 g
 Workflow: ●●●●●●

Size product: L: 16 cm W: 2.5 cm H: 0.4 cm
 Size mould: L: 20 cm W: 9.5 cm H: 4 cm
 Weight mould: 2.1 kg

Price: 450 €*

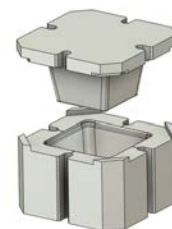
Square Bowl Mould

Perfect as a decorative non food bowl for accessories or as screw box.

Plastic per mould: 40 g
 Products per mould: 1
 Plastic per product: 35 g
 Workflow: ●●●●●●

Size product: L: 7.5 cm W: 7.5 cm H: 5 cm
 Size mould: L: 12 cm W: 12 cm H: 8 cm
 Weight mould: 3.0 kg

Price: 550 €*



Soap Box Mould



Perfect to keep your soap safe while traveling or to put in your bathroom. Just keep in mind that there is no built-in locking mechanism.

Plastic per mould: 65 g
 Products per mould: 2
 Plastic per product: 60 g
 Workflow: ●●●●●

Size product: W: 10.5 cm L: 7 cm H: 4.2 cm
 Size mould: L: 20 cm W: 15 cm H: 5 cm
 Weight mould: 4.0 kg

Price: 600 €*

Soap Dish Mould

Perfect for bathrooms – no matter if private or hotels.

Plastic per mould: 60 g
 Products per mould: 2
 Plastic per product: 26 g
 Workflow: ●●●●●

Size product: W: 11.5 cm L: 7.5 cm H: 1.5 cm
 Size mould: L: 21 cm W: 15.5 cm H: 4.5 cm
 Weight mould: 3.9 kg

Price: 500 €*



Spinning Top Mould

Perfect as a giveaway for workshops – kids love it!



Plastic per mould: 20 g
 Products per mould: 2
 Plastic per product: 9 g
 Workflow: ●●●●●

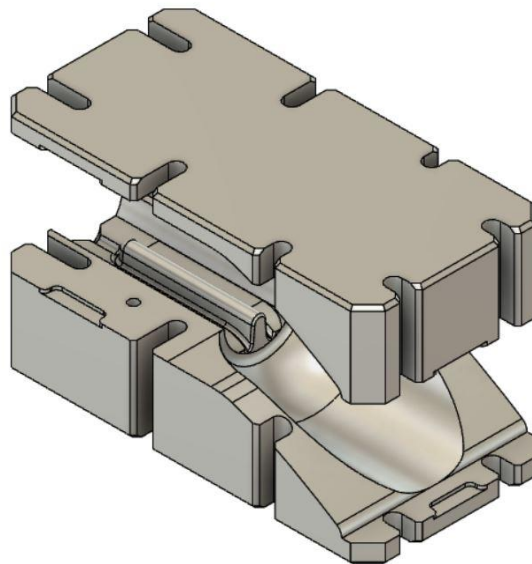
Size product: D: 4 cm H: 4 cm
 Size mould: L: 11 cm W: 6.5 cm H: 6 cm
 Weight mould: 1.2 kg

Price: 400 €*

PRE ORDER MOULDS

We are constantly trying to develop new products and implement design ideas. As the pre-financing of injection moulds is relatively expensive, we have decided to offer new developments as pre-orders with a reduced price but with longer delivery times.

Beach & Garden Shovel



Pre-Sale Price:	750 €*
Official List Price:	875 €*

If you wish for the creation of customized moulds adapted more closely to your needs then please send us an e-mail to products@plasticpreneur.com