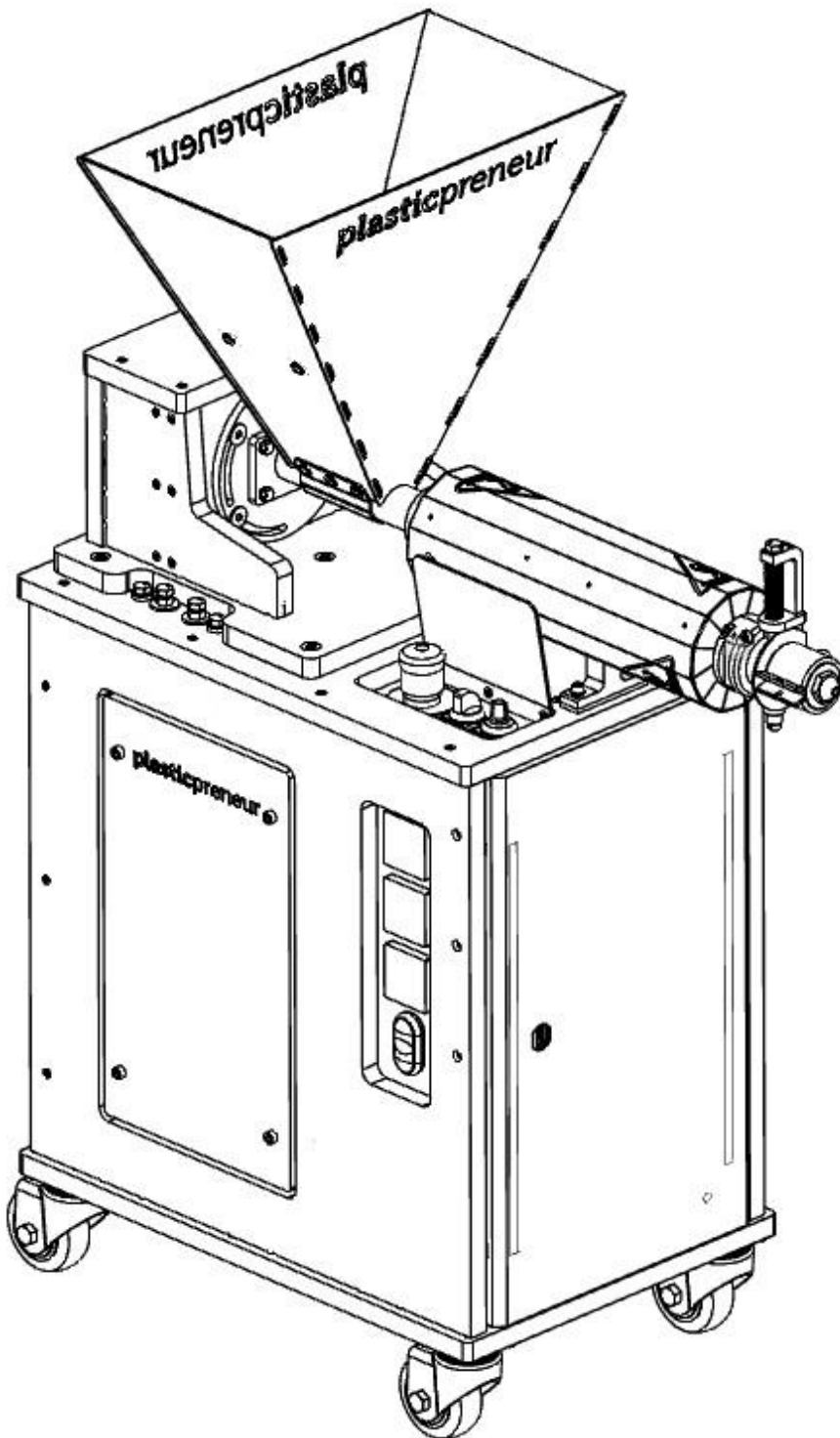


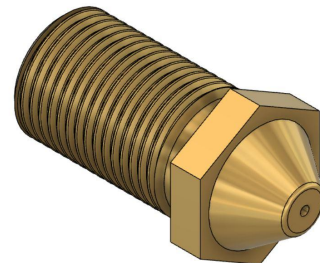
ADD-ONS AND MOULDS FOR EXTRUDER MACHINE ExMK1



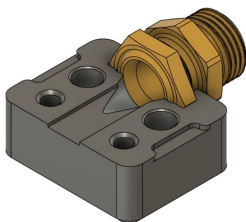
1.75 mm Nozzle

Alternative nozzle to create smaller strings than with the standard 5 mm nozzle.
The extruded diameter is not stable enough to extrude 3D printing filament.

| | |
|-----------------|-------------------|
| Size product: | D: 28 mm L: 50 mm |
| Weight Product: | 90 g |
| Threat: | G1/2" |
| Key Size: | 24 mm |
| Material: | Brass |

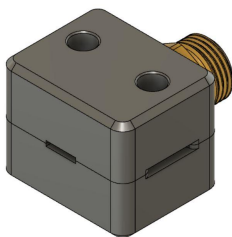


| | |
|--------|-------|
| Price: | 75 €* |
|--------|-------|



Band Extrusion Nozzle

Alternative nozzle to create an approximately 12mm wide plastic band.

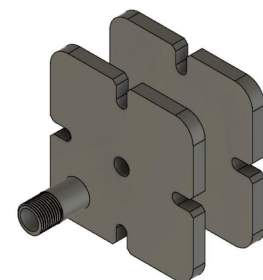


| | |
|-----------------|-------------------------|
| Size product: | L: 6 cm W: 5 cm H: 4 cm |
| Weight Product: | 400 g |
| Threat: | G1/2" |
| Key Size: | 24 mm |
| Material: | Aluminium, Brass |

| | |
|--------|--------|
| Price: | 150 €* |
|--------|--------|

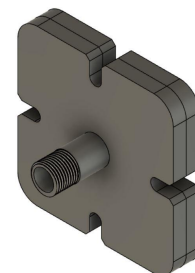
Beam Welding Set

Everything you need to weld a beam mould by yourself.
Suitable for most metal pipes - maximum pipe size 75x75mm.
You just need to source the steel profile with the needed dimensions locally in addition to this set.

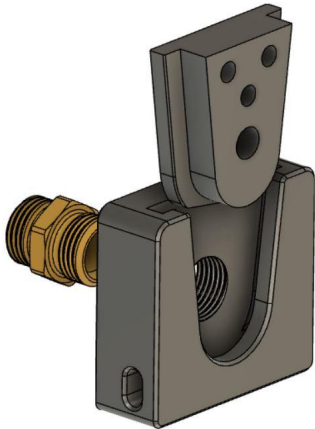


| | |
|-----------------|---------------------------|
| Size product: | L: 12 cm W: 12 cm H: 6 cm |
| Weight Product: | 2.1 kg |
| Threat: | G1/2" |
| Material: | Steel |

| | |
|--------|--------|
| Price: | 100 €* |
|--------|--------|



Quick Release Mechanism



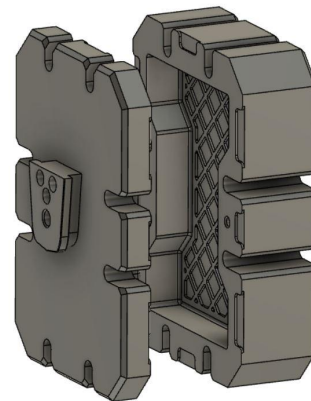
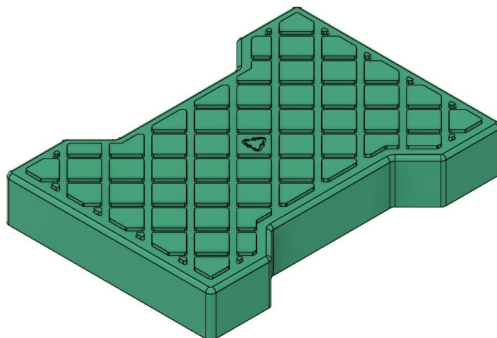
For a better workflow we recommend using our quick release mechanism for connecting closed moulds. One side gets screwed into the extruder and the other one gets mounted on the mould with three M6 screws.

| | |
|-----------------|-----------------------------|
| Size product: | L: 4.5 cm W: 7 cm H: 6.5 cm |
| Weight Product: | 800 g |
| Threat: | G1/2" |
| Key Size: | 24 mm |
| Material: | Steel, Brass |

| | |
|--------|--------|
| Price: | 175 €* |
|--------|--------|

Pavement Tile Mould

Due to our unique overpressure valve you are able to extrude into closed moulds. For a fast and good Workflow with high output numbers, we recommend using at least three Pavement Tile Moulds. Pavement Tile Moulds come with our quick release mechanism. It takes around 1 minute and 25 seconds to fill up one mould (depending on your input material and flake size)



| | |
|----------------------|-------|
| Plastic per mould: | 280 g |
| Products per mould: | 1 |
| Plastic per product: | 270 g |
| Workflow: | ●●●●● |

| | |
|---------------|-----------------------------|
| Size product: | L: 17 cm W: 12 cm H: 2.7 cm |
| Size mould: | L: 22 cm W: 16 cm H: 7.5 cm |
| Weight mould: | 6 kg |

| | |
|----------------------|---------|
| Price: | 1000 €* |
| Set Price: (3xMould) | 2500 €* |

*Prices exclusive taxes, customs, etc. The shipping costs depend on the country. Changes, errors as well as literal and phrase mistakes reserved. Doc V1.00 doing circular gmbh | Viktor-Kaplan-Straße 2 | 2700 Wiener Neustadt | AUSTRIA | plasticpreneur.com | hello@plasticpreneur.com | +43 (0) 676 453 8215